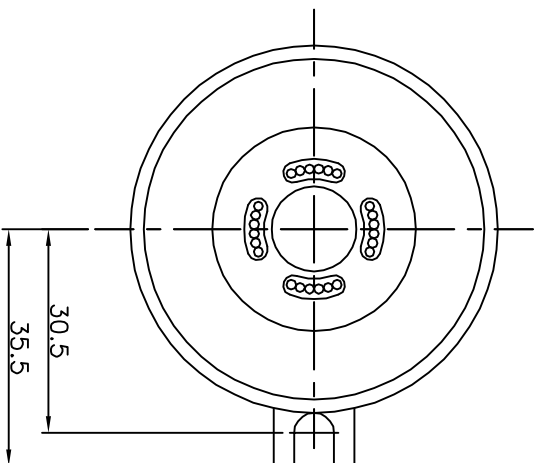
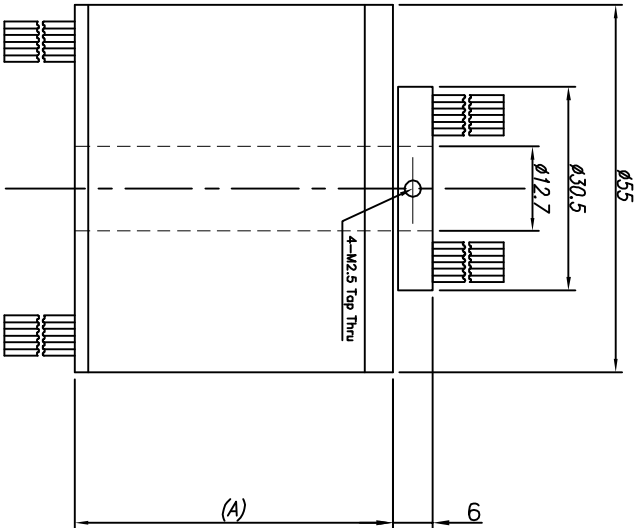


SPECIFICATION

Number of Circuit	5 amps/circuit(20AWG)
Operating Speed	100rpm continuous
Lead Lengths	300mm
Voltage	Max: 440VAC/VDC
Current Rating	6~24 circuit
Contact Material	Gold to Gold
Lead Size/Type	Silver plated copper Type: Teflon insulated
Noise	100milliohms max



VIEW - TOP

01	WR-ST000	xxx	x							
NO	PART NAME	CHECKED	APPROVE	PRINT SCALE	MATERIAL	QTY	PROJECTION			
DRAWING	DESIGN	KIM.W.B	KIM.W.B		A3					
LEE.Y.S										
TOLERANCE										
	0 ~ 10	±0.02	CHAMFER	C = 0.3						
	11 ~ 30	±0.05	FILLET	R = 0.3						
	31 ~ 50	±0.10	ANGLE	40°/20						
	51 ~ 100	±0.15	HOLE PITCH	±0.05						
	100 ~	±0.20								
도면 번호	A									
WR-ST006-00-A	33.8									
WR-ST012-00-A	47.6									
WR-ST018-00-A	61.4									
WR-ST024-00-A	75.2									
DRAWING NO.		WR-ST000-00-A		1		1				

우리슬리빙

- NOTE.
1. 날카로운 모서리 제거
 2. 표기하지 않은 치수는 CAD 데이터 참고할 것.
 3. 지시하지 않은 모따기는 CO.3 , 라운드는 R1