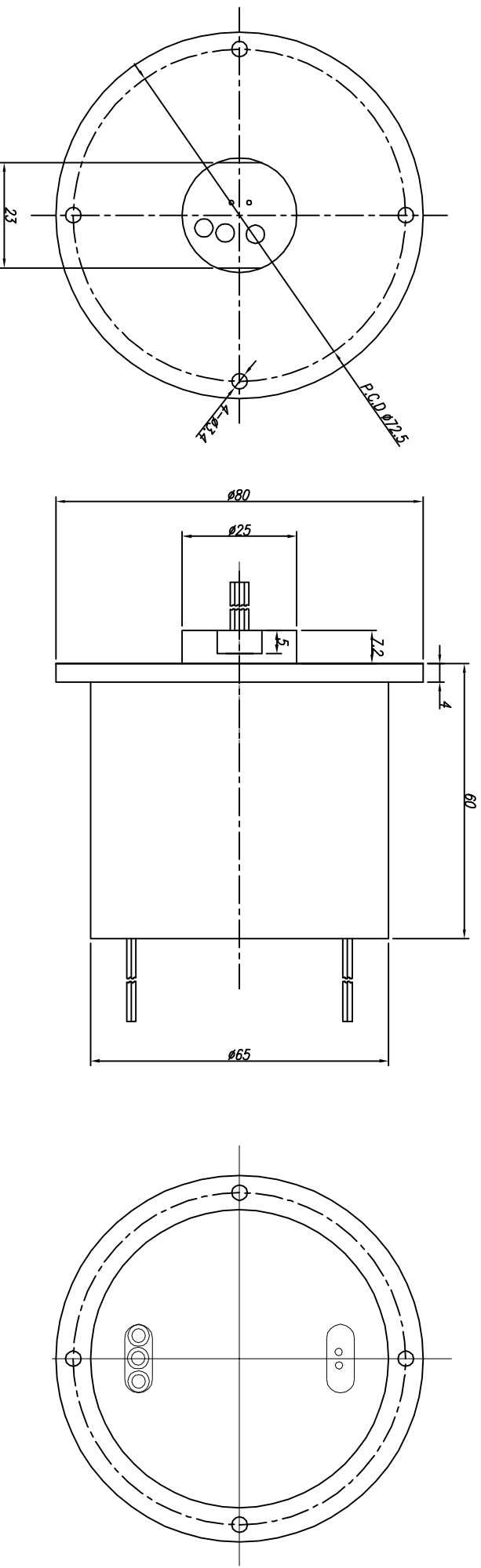


SPECIFICATION	
Number of Circuit	5 amps/circuit (20AWG) . 30 amps/2circuit(12AWG)
Operating Speed	100rpm continuous
Lead Lengths	500mm
Voltage	Max. 220VDC/380VAC
Current Rating	30A 3circuit . 5A 2circuit
Contact Material	Gold to Gold
Lead Size/Type	Silver plated copper Type Teflon Insulated
Noise	100milliohms max



01	WR-SS0302(30A)																			
NO	PART NAME	CHECKED	APPROVE	MATERIAL	QTY	SIZE	COATING METHOD	REMARK												
DRAWING	DESIGN	KIM,W.B		N : S	A3				우 리 슬 립 링											
LEE,Y.S				DATE	2017.12.11				DRAWING NO. WR-SS0302(30A)-00-B											
TOLERANCE		0 ~ 10	±0.02	CHAMFER	C = 0.3				1											
		11 ~ 30	±0.05	FILET	R = 0.3				1											
		31 ~ 50	±0.10	ANGLE	±0°20'															
		51 ~ 100	±0.15	HOLE PITCH	±0.05															
		100 ~	±0.20																	