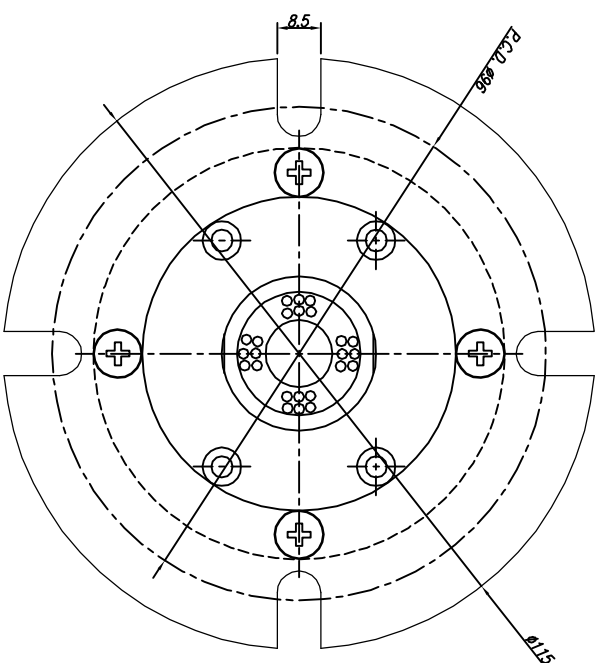
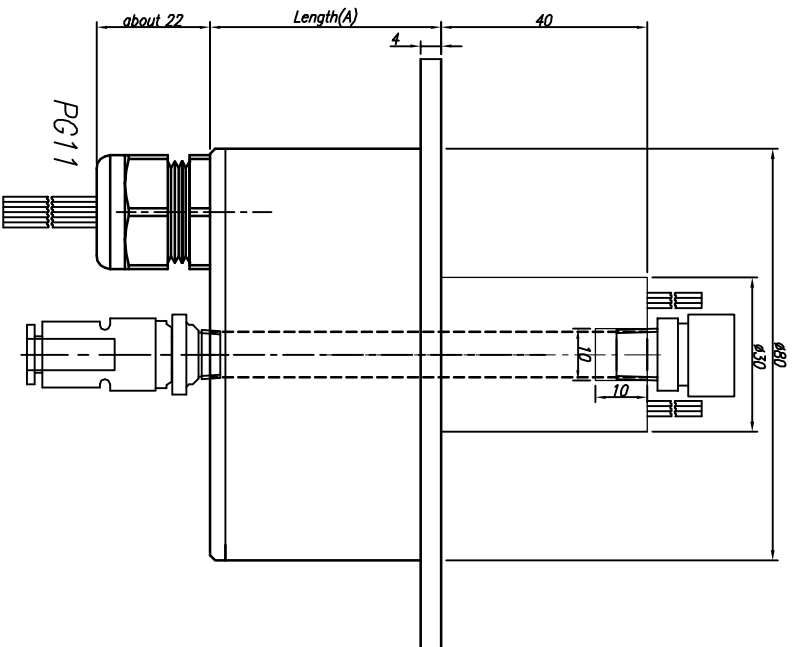


SPECIFICATION	
Number of Circuit	3 amps/circuit (22AWG), 10 amps/2circuit(16AWG)
Operating Speed	100rpm continuous
Lead Lengths	300mm
Voltage	Max. 380VDC/VAC
Current Rating	12 ~ 32 circuit
Contact Material	Gold to Gold
Lead Size/Type	Silver plated copper Type Teflon Insulated
Noise	100milliohms max
Rotary Joint	Air 1ch, 1/4" or 1/8" PT, ø4~ø10 Hose



VIEW - TOP

NO	PART NAME	CHECKED	APPROVE	MATERIAL	QTY	COATING METHOD	REMARK
01	WR-MHXX01-01(B Type)	KIM.W.B	KIM.W.B	N : S	A3		
DRAWING		DESIGN		DATE		PROJECTION	
LEE.Y.S				2013.02.04			
도면번호		Port	Length(A)				
WR-MH1201-01-B		12	62.6				
WR-MH2401-01-B		24	91.4				
WR-MH3201-01-B		32	110.6				
TOLERANCE							
0 ~ 10		±0.02		CHAMFER		C = 0.3	
11 ~ 30		±0.05		FILET		R = 0.3	
31 ~ 50		±0.10		ANGLE		40°±20	
51 ~ 100		±0.15		HOLE PITCH		±0.05	
100 ~		±0.20					
DRAWING NO.		WR-MHXX01-01-B					
1		1					

우리슬리빙