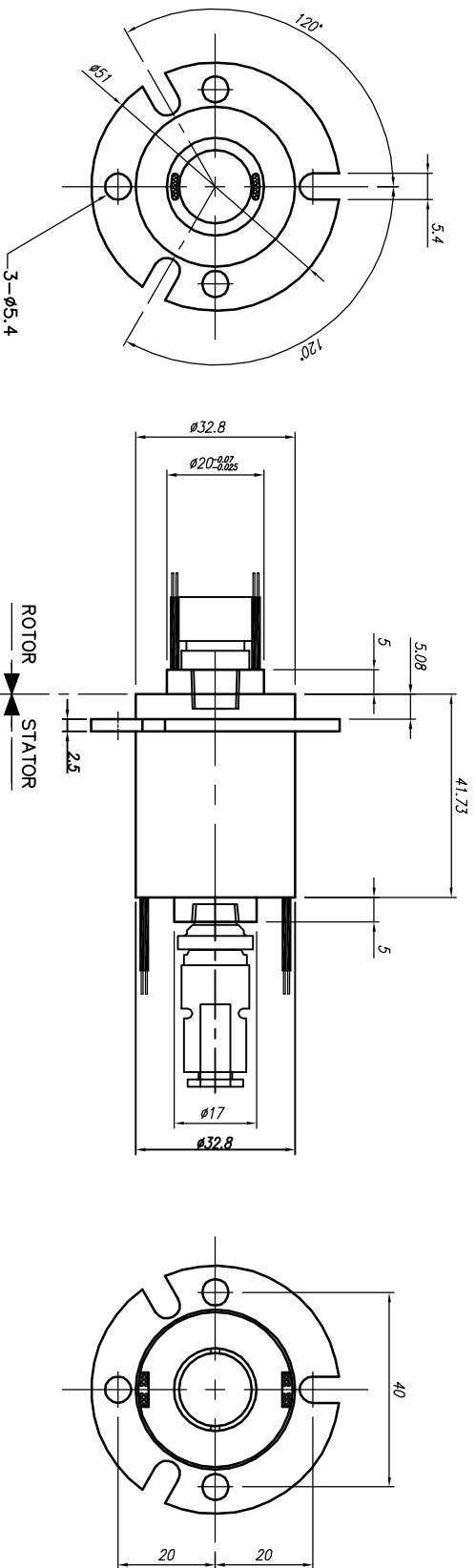


NO. DESCRIPTION MAKER MODEL No.



SPECIFICATION

Number of Circuit	2 ampos/circuit(28AWG)
Operating Speed	100rpm continuous
Lead Lengths	300mm
Voltage	Max. 240VAC
Current Rating	2A014H 12 circuit or 24 circuit
Contact Material	Gold to Gold
Lead Size/Type	Silver plated copper Type Teflon insulated
Electrical Noise	60millohms max

01	WR-MCB000	MATERIAL	QTY	COATING METHOD	REMARK
NO	PART NAME	CHECKED	APPROVE	PRINT SCALE	SIZE
DRAWING	DESIGN	KIM,W.B	KIM,W.B	N : S	A3
LEE,Y.S				DATE	2015.08.22
TOLERANCE		0 ~ 10	±0.02	CHAMFER	C = 0.3
		11 ~ 30	±0.05	FILET	R = 0.3
		31 ~ 50	±0.10	ANGLE	±0°20'
		51 ~ 100	±0.15	HOLE PITCH	±0.05
		100 ~	±0.20		
DRAWING NO.		WR-MCB000-01			
				<p style="text-align: center;">1</p>	