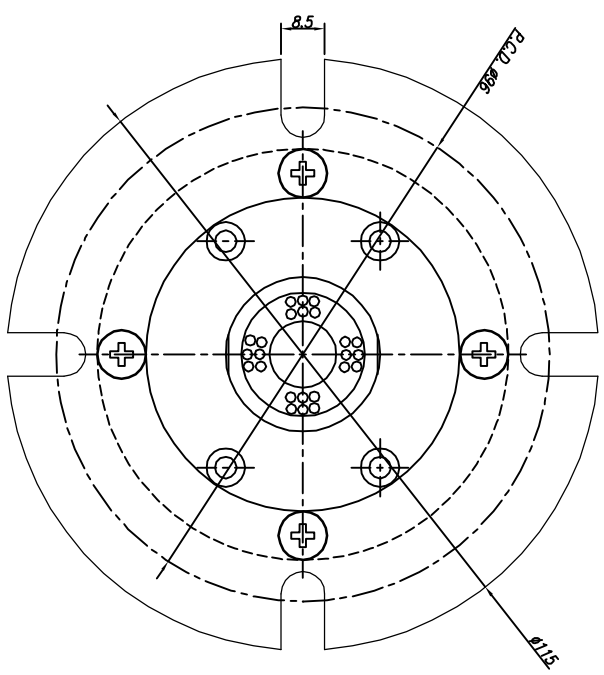
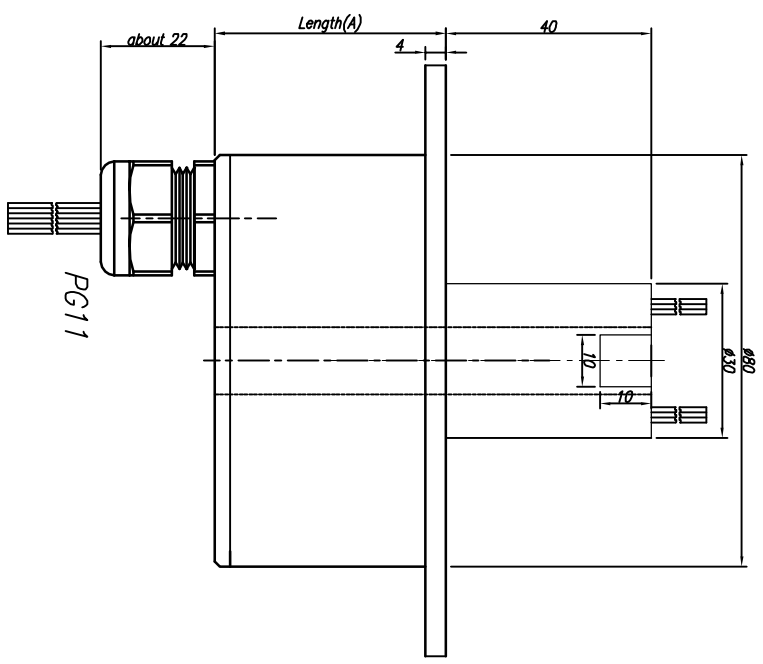


SPECIFICATION	
Number of Circuit	3 amps/circuit (22AWG), 10 amps/2circuit(16AWG)
Operating Speed	100rpm continuous
Lead Lengths	300mm
Voltage	Max. 380VDC/VAC
Current Rating	12 ~ 32 circuit
Contact Material	Gold to Gold
Lead Size/Type	Silver plated copper Type Teflon Insulated
Noise	100milliohms max



VIEW - TOP

NO	WR-H000(B Type)	PART NAME	CHECKED	APPROVE	MATERIAL	QTY	COATING METHOD	REMARK
01								
DRAWING		DESIGN			PRINT SCALE	SIZE	PROJECTION	
LEE.Y.S			KIM.W.B		N : S	A3		
TOLERANCE					DATE			
0 ~ 10			±0.02		2013.02.04			
11 ~ 30			±0.05					
31 ~ 50			±0.10					
51 ~ 100			±0.15					
100 ~			±0.20					
CHAMFER					C = 0.3			
FILET					R = 0.3			
ANGLE					±0°20			
HOLE PITCH					±0.05			
도면번호		Port	Length(A)					
WR-H012-00-B		12	62.6					
WR-H024-00-B		24	91.4					
WR-H032-01-B		32	110.6					
DRAWING NO.		WR-H000-00-B						
1		1						

우리슬립링