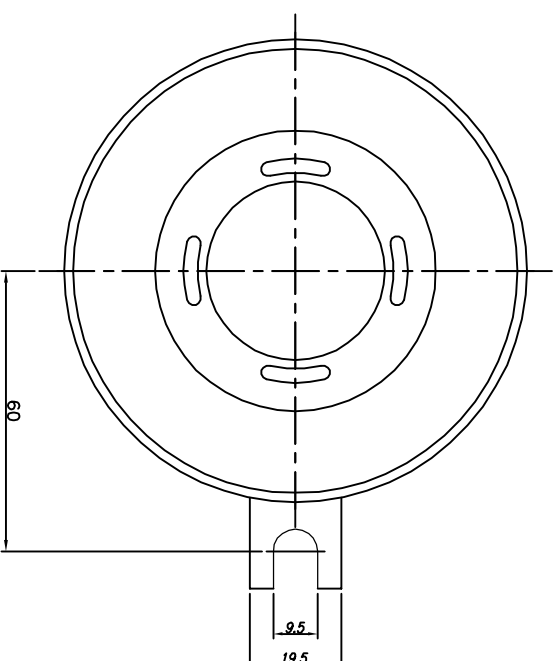
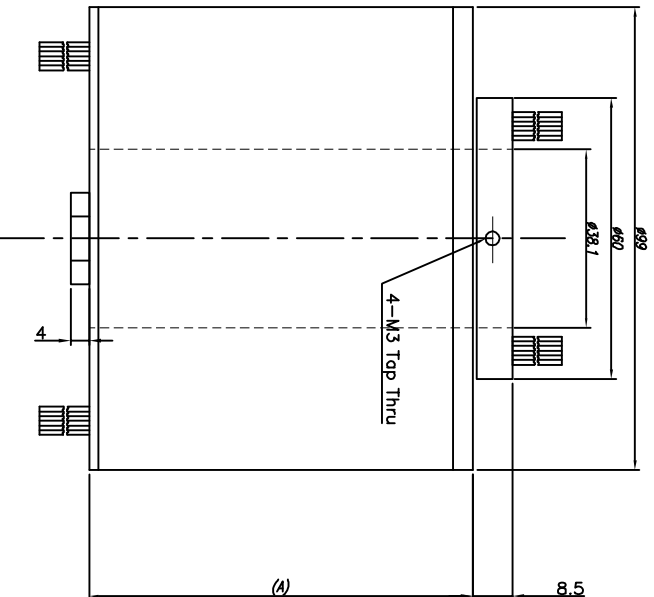




SPECIFICATION	
Number of Circuit	10 amps/circuit(17AWG)
Operating Speed	100rpm continuous
Lead Lengths	300mm
Voltage	Max. 380VAC/VDC
Current Rating	6~36 circuit
Contact Material	Gold to Gold
Lead Size/Type	Silver plated copper Type 1:flon insulated
Noise	100milliohms max



VIEW - TOP

01	WR-D0000(10A)	xxx	x		
NO	PART NAME	CHECKED	APPROVE	PRINT SCALE	Q'TY
	WR-D0006-00-A	KIM.W.B	KIM.W.B	A3	
	WR-D012-00-A				
	WR-D018-00-A				
	WR-D024-00-A				
	WR-D030-00-A				
	WR-D036-00-A				
TOLERANCE		0 ~ 10	±0.02	CHAMFER	C = 0.3
		11 ~ 30	±0.05	FILET	R = 0.3
		31 ~ 50	±0.10	ANGLE	±0°20'
		51 ~ 100	±0.15	HOLE PITCH	±0.05
		100 ~	±0.20		
DRAWING NO.		COATING METHOD		REMARK	
WR-D0000-00-A		우리슬리밍		1 1	

- NOTE.
1. 날카로운 모서리 제거
 2. 표기하지 않은 치수는 CAD 데이터다 참고할 것.
 3. 지시하지 않은 모따기는 CO.3, 라운드는 R1