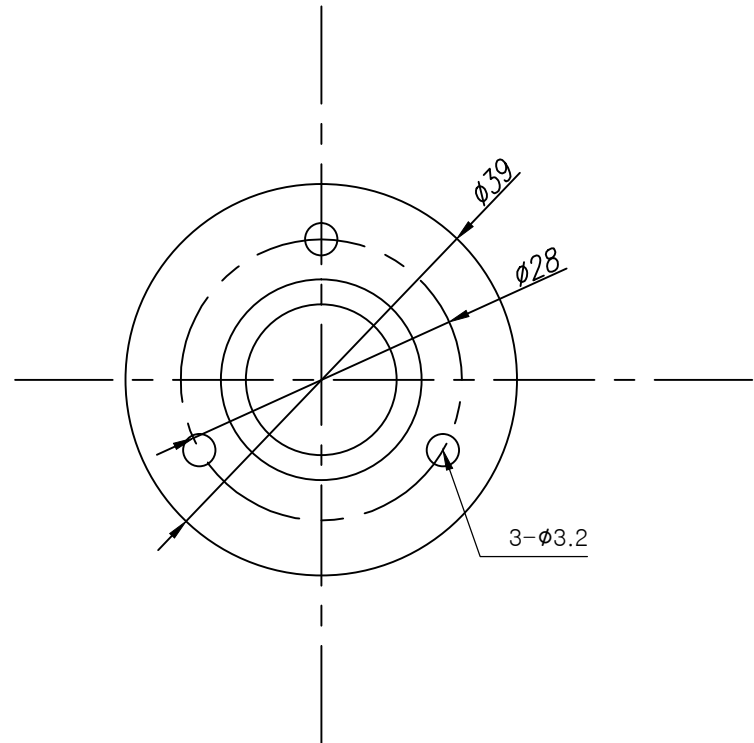
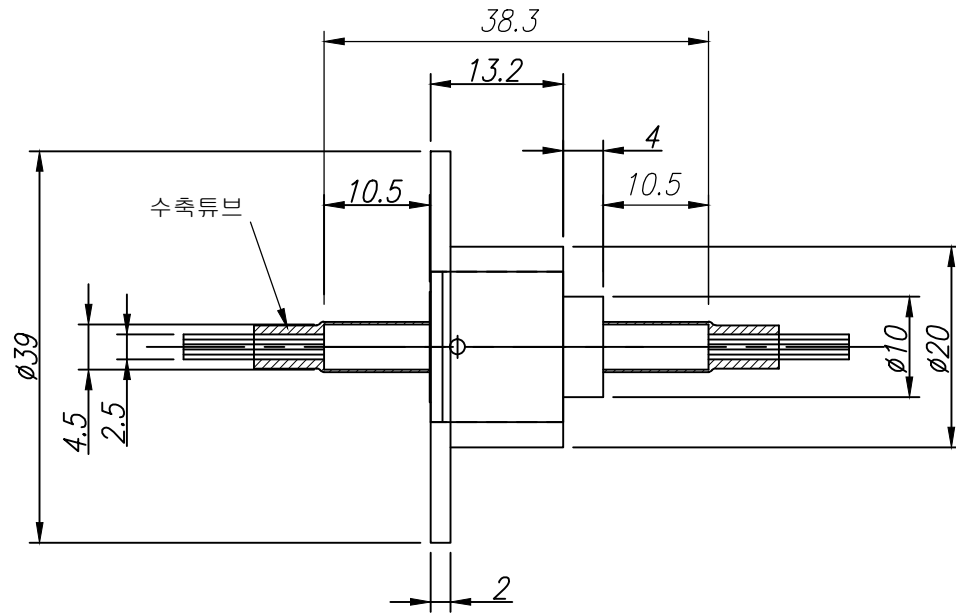


NO.	DESCRIPTION	MAKER	MODEL No.
-----	-------------	-------	-----------



SPECIFICATION	
Impedance	75 ohms
Frequency range	DC ~2.3GHz
Insertion loss	-0.65dB / 1GHz Max.
Return loss	-18dB / 1GHz Max.
Temperature range	-20°C ~ + 80°C
Current	DC 1A Max.
Lead Lengths	1,000mm(bnc cable RG-179/U)
Life	300,000
Speed	Max. 50rpm

01	WR-CRF01						
NO	PART NAME		MATERIAL	Q'TY	COATING METHOD	REMARK	
DRAWING	DISIGN	CHECKED	APROVE	PRINT SCALE	SIZE	PROJECTION	
LEE.Y.S		KIM.W.B	KIM.W.B	N : S	A3		
				DATE	2015.08.31		
TOLERANCE	0 ~ 10	±0.02	CHAMFER	C = 0.3		DRAWING NO. WR-CRF01-01	
	11 ~ 30	±0.05	FILLET	R = 0.3			
	31 ~ 50	±0.10	ANGLE	±0°20'			
	51 ~ 100	±0.15	HOLE PITCH	±0.05			
	100 ~	±0.20					
						1	1