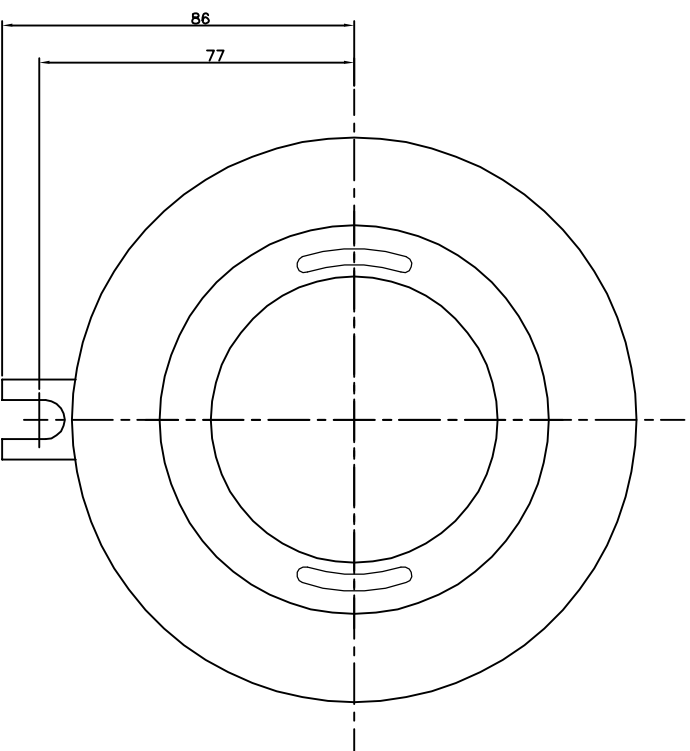
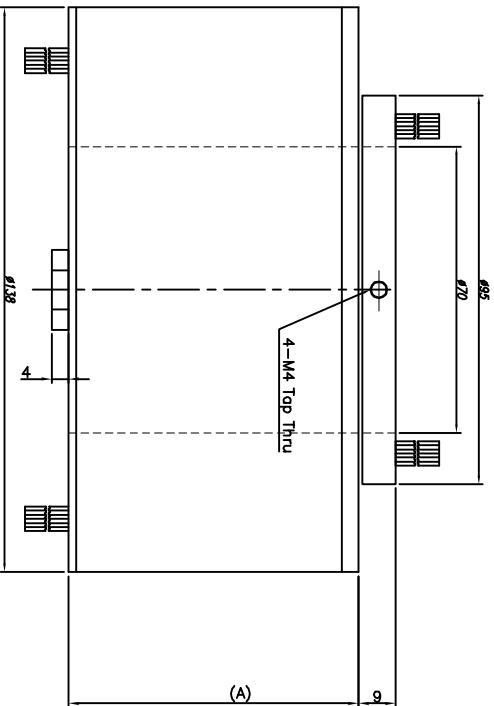




SPECIFICATION	
Number of Circuit	10 amps/circuit(17AWG)
Operating Speed	100rpm continuous
Lead Lengths	300mm
Voltage	Max: 380VAC/VDC
Current Rating	6 ~ 48 circuit
Contact Material	Gold to Gold
Lead Size/Type	Silver plated copper Type I (flon insulated)
Noise	100milliohms max



VIEW - TOP

도면 번호	A
WR-BB006-00-A	53
WR-BB012-00-A	71
WR-BB018-00-A	89
WR-BB024-00-A	107
WR-BB036-00-A	143
WR-BB048-00-A	179

01	WR-BB000	xxx	x	
NO	PART NAME	CHECKED	APPROVE	MATERIAL
DRAWING	DESIGN	KIM,W.B	KIM,W.B	N : S
LEE,Y.S				A3
TOLERANCE				DATE
				2016.07.12
				CHAMFER
				C = 0.3
				FILET
				R = 0.3
				ANGLE
				40°20'
				HOLE PITCH
				±0.05

DRAWING NO.	WR-BB000-00-A
PROJECTION	
COATING METHOD	
REMARK	

우리슬리밍

1/1