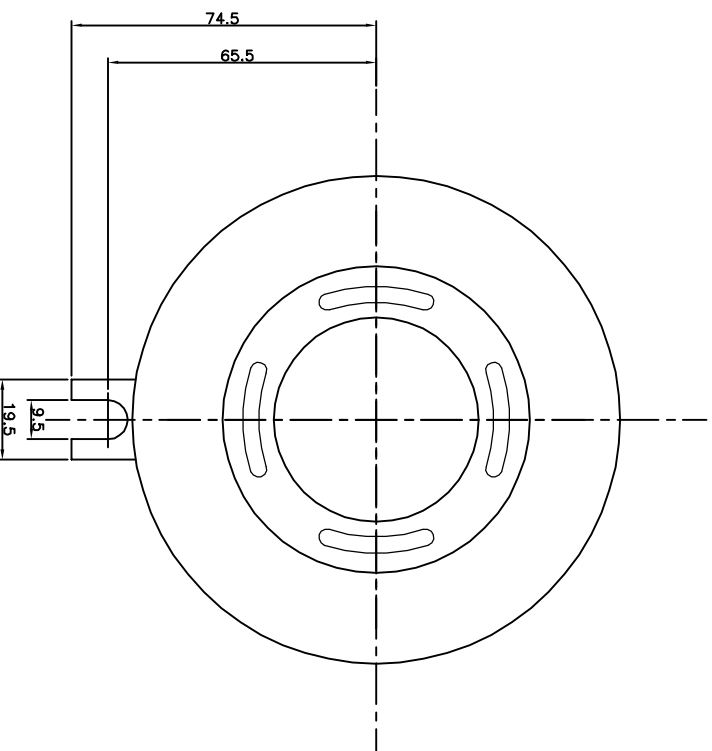
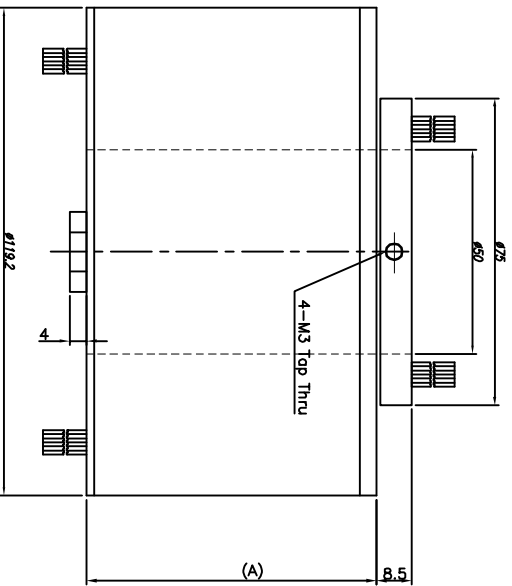




SPECIFICATION	
Number of Circuit	10 amps/circuit(17AWG)
Operating Speed	100rpm continuous
Lead Lengths	300mm
Voltage	Max. 380VAC/220VDC
Current Rating	6 ~ 48 circuit
Contact Material	Gold to Gold
Lead Size/Type	Silver plated copper Type 1eflon insulated
Noise	100milliohms max



VIEW - TOP

01	WR-BA000(10A)	xxx	x		
NO	PART NAME	CHECKED	APPROVE	MATERIAL	QTY
DRAWING	DESIGN	KIM.W.B	KIM.W.B	N : S	A3
LEE.Y.S				DATE	2016.07.12
TOLERANCE		0 ~ 10	±0.02	CHAMFER	C = 0.3
		11 ~ 30	±0.05	FILET	R = 0.3
		31 ~ 50	±0.10	ANGLE	40°±20
		51 ~ 100	±0.15	HOLE PITCH	±0.05
		100 ~	±0.20		
도면 번호	A				
WR-BA006-00-A	53.8				
WR-BA012-00-A	77.8				
WR-BA018-00-A	101.8				
WR-BA024-00-A	125.8				
WR-BA036-00-A	173.8				
DRAWING NO.		WR-BA000-00-A			
REMARK					
우리슬립링					
1		1			