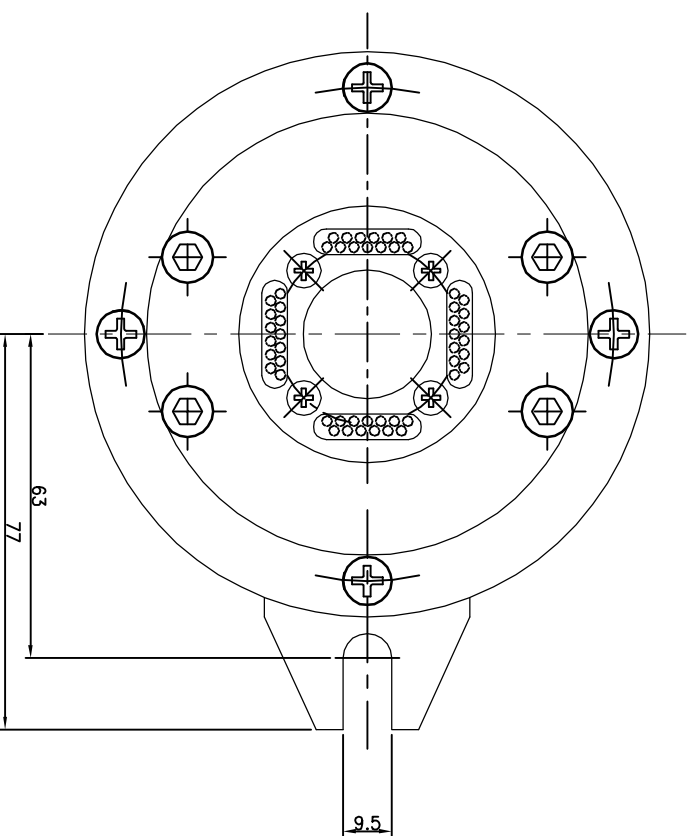


SPECIFICATION	
Number of Circuit	12~60
Operating Speed	100 rpm continuous
Lead Lengths	500mm
Voltage	Max. 380VDC/VAC
Current Rating	3amps/circuit (22AWG) , 10amps/2circuit(16AWG)
Contact Material	Gold to Gold
Lead Size/Type	Silver plated copper Type Teflon insulated
Noise	100milliOhms max



VIEW - TOP

- NOTE.
1. 날카로운 모서리 제거
 2. 표기하지 않은 치수는 CAD 데이터 참고할 것.
 3. 지시하지 않은 모따기는 C0.3 , 라운드는 R1

도면 번호	A	B
WR-B012-00-A	71.3	99
WR-B016-00-A	83.3	111.5
WR-B024-00-A	107.3	135
WR-B032-00-A	131.3	159
WR-B048-00-A	179.3	207
WR-B060-00-A	215.3	243

01	WR-B000																				
NO	PART NAME	CHECKED	APPROVE	MATERIAL	QTY	COATING METHOD	REMARK														
DRAWING	DESIGN	KIM,W/B	KIM,W/B																		
LEE,Y/S				N : S	A3																
TOLERANCE		0 ~ 10	\$0.02	CHAMFER	C = 0.3																
		11 ~ 30	\$0.05	FILLET	R = 0.3																
		31 ~ 50	\$0.10	ANGLE	\$0°30'																
		51 ~ 100	\$0.15	HOLE FITCH	\$0.05																
		100 ~	\$0.20																		
DATE		2019.02.04																			
DRAWING NO.		WR-B000-00-A																			
PROJECTION																					
REMARK		우리슬립링																			
		<table border="1" style="width: 100%; text-align: center;"> <tr> <td>1</td> <td>1</td> </tr> </table>																		1	1
1	1																				